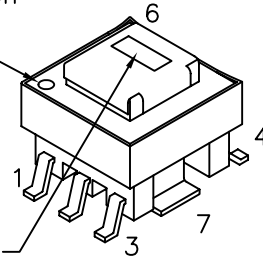


A. Electrical Specifications (@ 25°C)

1. Operating Frequency; 250kHz and above
2. Rated Primary Current; 6Arms
3. Dielectric Strength; 500Vrms 1 second @ Pri to Sec
4. Operating Temperature; -40°C to +85°C
5. Specification;

White dot indicates pin 1

Part Number



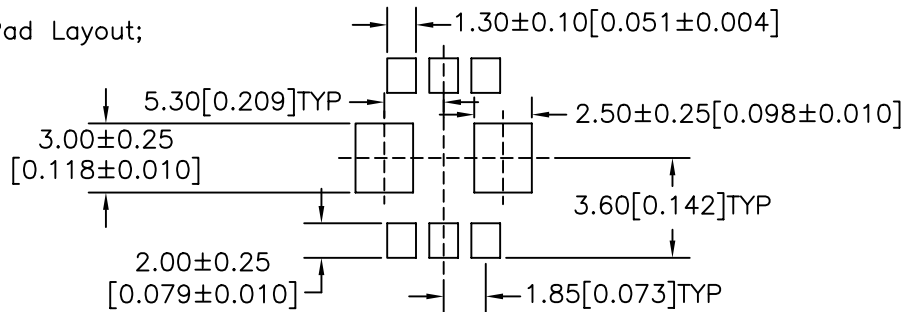
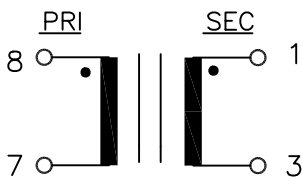
MODEL NUMBER

TCS SERIES

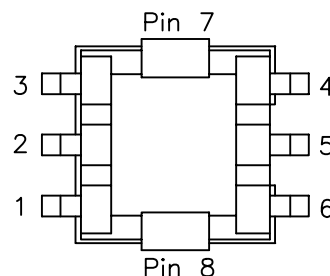
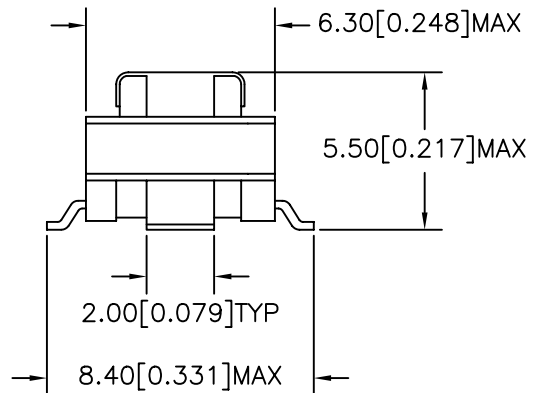
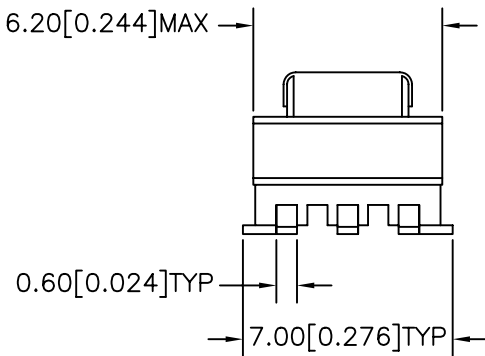
| Tamura Part No | Turns Ratio (7-8):(1-3) | Inductance @ 10kHz, 0.1Vrms (1-3) (μH) MIN | DCR | | Terminating Resistor Ω Max | Marking |
|----------------|-------------------------|--|--------------|-------------|----------------------------|---------|
| | | | (7-8) mΩ MAX | (1-3) Ω MAX | | |
| TCS-01 | 1:20 | 80 | 6 | 0.55 | 20 | C01 |
| TCS-02 | 1:30 | 180 | 6 | 0.87 | 30 | C02 |
| TCS-03 | 1:40 | 320 | 6 | 1.14 | 40 | C03 |
| TCS-04 | 1:50 | 500 | 6 | 1.50 | 50 | C04 |
| TCS-05 | 1:60 | 720 | 6 | 1.75 | 60 | C05 |
| TCS-06 | 1:70 | 980 | 6 | 4.75 | 70 | C06 |
| TCS-07 | 1:100 | 2000 | 6 | 5.90 | 100 | C07 |
| TCS-08 | 1:125 | 3000 | 6 | 7.70 | 125 | C08 |

6. Marking; Part Number (Per above table)

C. Schematic and Suggested Pad Layout;



D. Mechanical Specifications



PREPARED BY:

D. Rund

ENGINEER:

M. Pitchai

QUALITY CONTROL:

T. Clem

APPROVED:

D. Kelley

DWG CONTROL NO. P-A1-13385
ACAD\MXFMR\A1133851.DWG

REV -

SMT CURRENT SENSE TRANSFORMER

CONTENTS OF THIS DRAWING ARE SUBJECT TO CHANGE WITHOUT PRIOR NOTICE

TAMURA CORPORATION OF AMERICA
43352 BUSINESS PARK DRIVE, TEMECULA, CA. 92590-6624
(909) 699-1270 FAX 9096769482

TCS SERIES

MODEL SPECIFICATION

DIM: mm(in) SCL: 4/1 SH: 1 OF 1

PROPRIETARY NOTICE: THIS DRAWING PRINT OR DOCUMENT AND SUBJECT MATTER DISCLOSED HEREIN ARE PROPRIETARY ITEMS TO WHICH TAMURA RETAINS THE EXCLUSIVE RIGHT OF DISSEMINATION, REPRODUCTION, MANUFACTURE AND SALE. THIS DRAWING, PRINT OR DOCUMENT IS SUBMITTED IN CONFIDENCE FOR CONSIDERATION BY THE RECIPIENT ALONE UNLESS PERMISSION FOR FURTHER DISCLOSURE IS EXPRESSLY GRANTED IN WRITING.